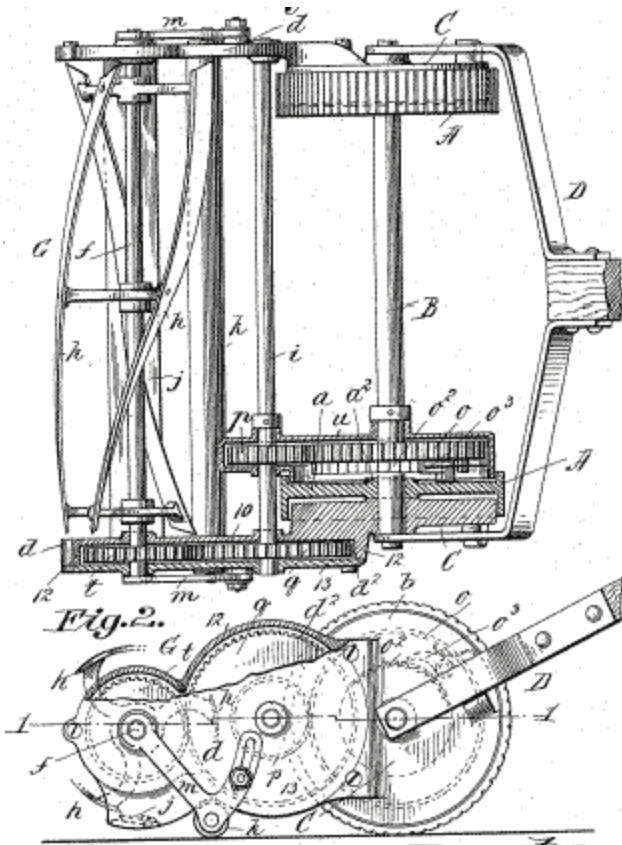


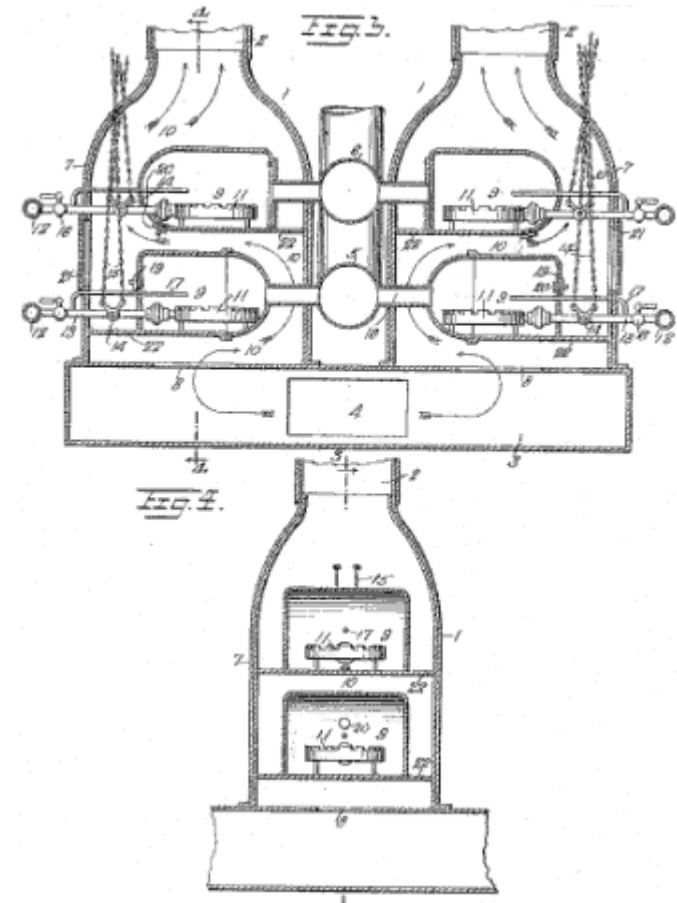
The Rotary Blade Lawnmower by John Albert Burr

On May 9, 1899 John Albert Burr filed patent #624,749. The invention was a lawn mower with a rotary blade and traction wheels to prevent clippings from clogging the blade.



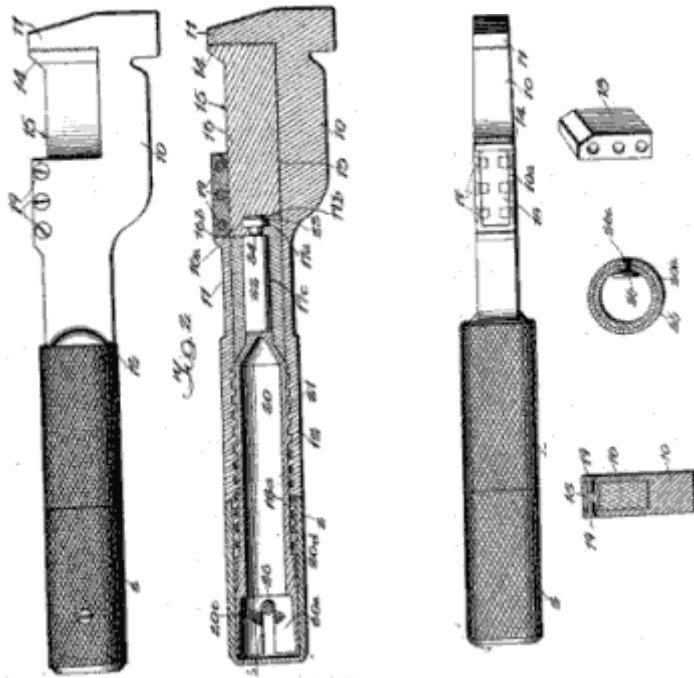
Modern Furnace System by Alice Parker

On 12/23/1919 Alice Parker received patent #1,325,905. This patent is a gas heating furnace that provides central heat.



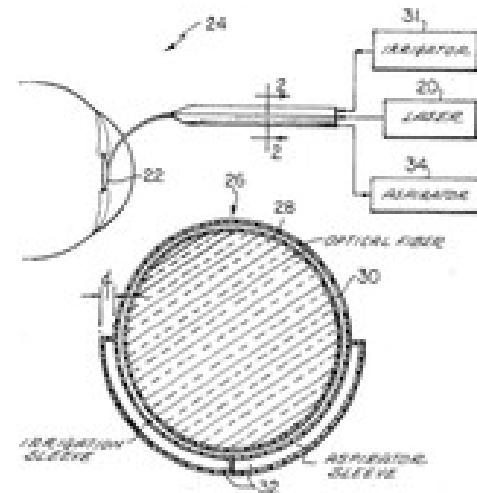
Improvements on The Modern Wrench by Jack Johnson

Yes, that's THE Jack Johnson, former heavyweight champion of the world received a patent for his improvements to the modern wrench April 18th, 1922 patent #1,413,121



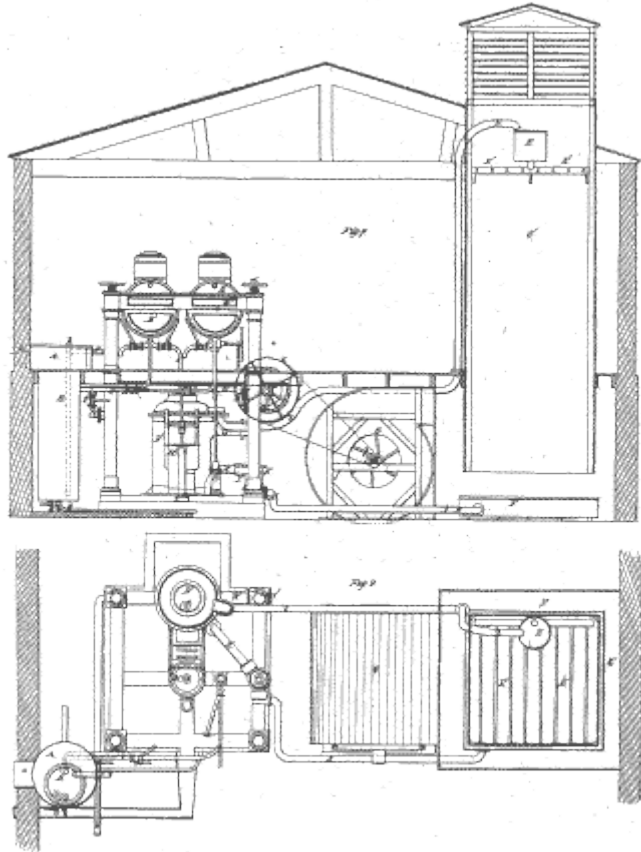
Cataract Removal System (Laserphaco Probe) by Patricia Bath

On May 17, 1988 Patricia Bath was awarded patent # 47,444,360 for the Cataract Laserphaco Probe, which, in simplest terms, vaporizes cataracts from the patient's eye.



Improvement to Sugar Refining by Norbert Rillieux

On December 10, 1846 New Orleans native Norbert Rillieux received patent #4,879, an efficient system of refining sugar.



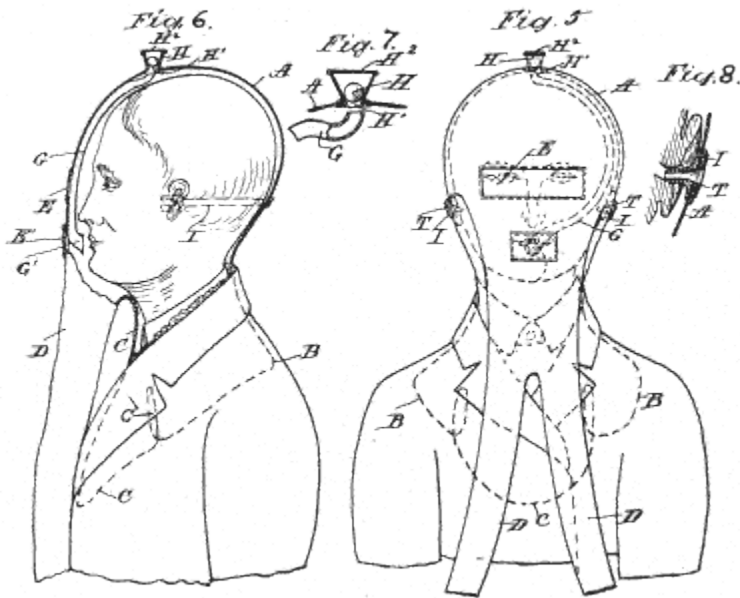
1st Refrigeration System for Long-Haul Trucks by Fredrick Jones

While Frederick Jones was awarded over 40 patents, his biggest was July 12, 1940 patent #2,303,857. This was a roof mounted refrigeration unit on long-haul trucks. The unit was later adapted to work also for railroad cars and ships.



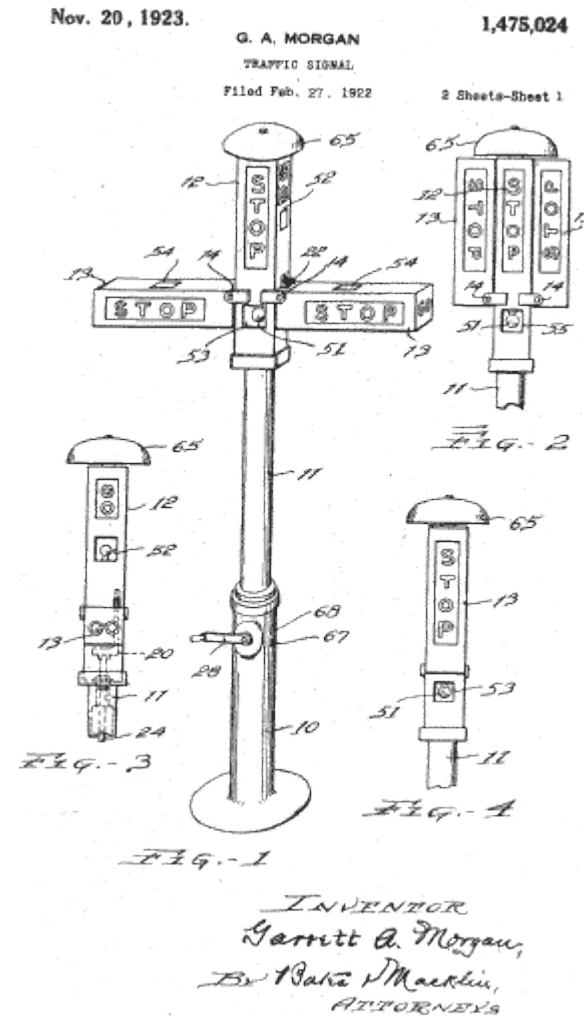
Modern Gas Mask by Garrett Morgan

Originally invented to rescue workers trapped in mines, the patent for Garrett Augustus Morgan's was awarded October 13, 1914 (patent #1,113,675).



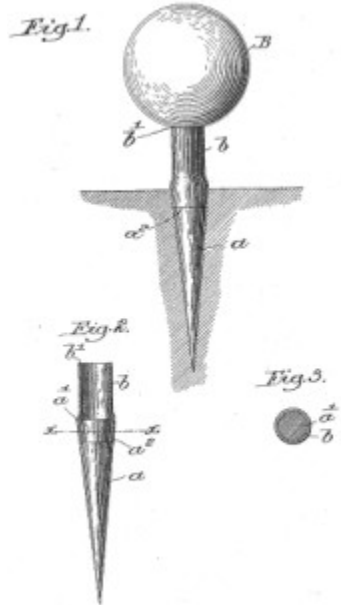
Modern Traffic Light by Garrett Morgan

The traffic light was patented November 20, 1923 patent #1,475,024.



Improved Golf Tee by George Grant

George Grant received patent #638,920 on December 12, 1899. The patent was for improvements to the golf tee. In his spare time, George Grant was a dentist (One of the first two to Graduate from Harvard Dental School) who invented the oblate palate, a prosthetic device he designed for treatment of the cleft palate.



The Potato Chip by George Crum

The world's most tasty snack was invented with the original intent of punishing a restaurant patron. After receiving a complaint of his French fries being too thick and too soft; Crum sliced the potatoes as thin as he could, fried them as crisp as he could and drenched them in salt. The new *Potato Chips* were a hit.

