

# TAX OFFICE RENOVATION

## Town Hall

### West Hartford, CT



5-19-09

#### DRAWINGS

- D-1 DEMOLITION PLAN
- A-1 PLAN
- A-2 MILLWORK DIMENSION PLAN
- A-3 MILLWORK ELEVATIONS
- A-4 MILLWORK DETAILS
- A-5 MILLWORK DETAILS
- E-1 ELECTRICAL AND DATA LOCATION PLAN
- M-1 MILLWORK IMAGES
- M-2 MILLWORK IMAGES

#### CODE

JOB ADDRESS: 50 SOUTH MAIN STREET

CONSTRUCTION TYPE (IBC TABLE 601) EXISTING: NA PROPOSED: NA

USE GROUP(S) CHAPTER 3 EXISTING: B PROPOSED: B

FOR MIXED USE OCCUPANCY- NA  
CHECK HOW MIXED USE IS DESIGNED:  
1) NON-SEPARATED      
2) SEPARATED      
3) SEPARATE BUILDINGS    

IF SEPARATED MIXED USE, INDICATE FIRE RESISTIVE ASSEMBLY AND DESIGN NUMBERS FOR:  
WALLS     HOUR; DESIGN NO.    ; FLOORS/CEILINGS     HOUR; DESIGN NO.    

EXISTING SPRINKLERS: YES X NO      
PROPOSED SPRINKLERS: YES X NO    

BUILDING DIMENSIONS (BOCA TABLE 503)  
N/A EXISTING BUILDING - NO CHANGE IN USE

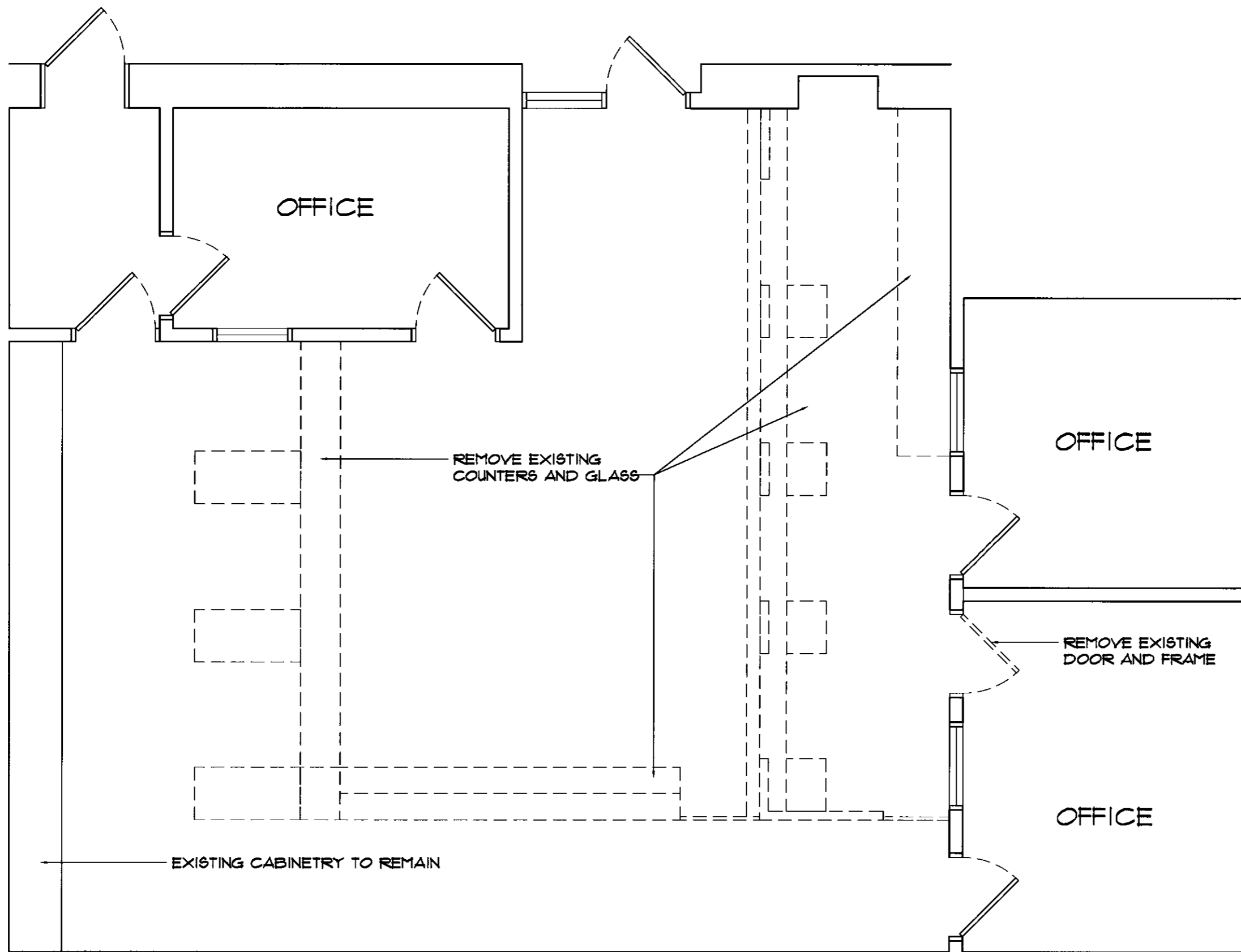
	AREA PER FLOOR	NO. STORIES	BUILDING HEIGHT
EXISTING:	<u>   </u>	<u>   </u>	<u>   </u>
PROPOSED:	<u>   </u>	<u>   </u>	<u>   </u>
TOTAL:	<u>   </u>	<u>   </u>	<u>   </u>
ALLOWABLE PER 503:	<u>   </u>	<u>   </u>	<u>   </u>
TENANT OR USE AREA:	<u>1,415 SF</u>		

DESIGN OCCUPANT LOAD (IBC 1004.1.2) 15  
NUMBER OF EXITS REQUIRED: 1 (CHAPTER 10) NUMBER OF EXITS PROVIDED: 1  
MAXIMUM TRAVEL DISTANCE REQUIRED: 200 FT  
ACTUAL TRAVEL DISTANCE PROPOSED: 60 FT  
HANDICAPPED ACCESSIBILITY REQUIRED: X NOT REQUIRED:      
BECAUSE:    

STATEMENT OF SPECIAL INSPECTIONS: REQUIRED:     NOT REQUIRED: X  
BECAUSE: NO STRUCTURAL CHANGES ARE PROPOSED

DATE: 5-19-09 DESIGN PROFESSIONAL:      
SIGNATURE

PRINT NAME: C. PETER CHOW



DEMOLITION PLAN  
 SCALE: 1/4" = 1'-0"

DEMOLITION PLAN

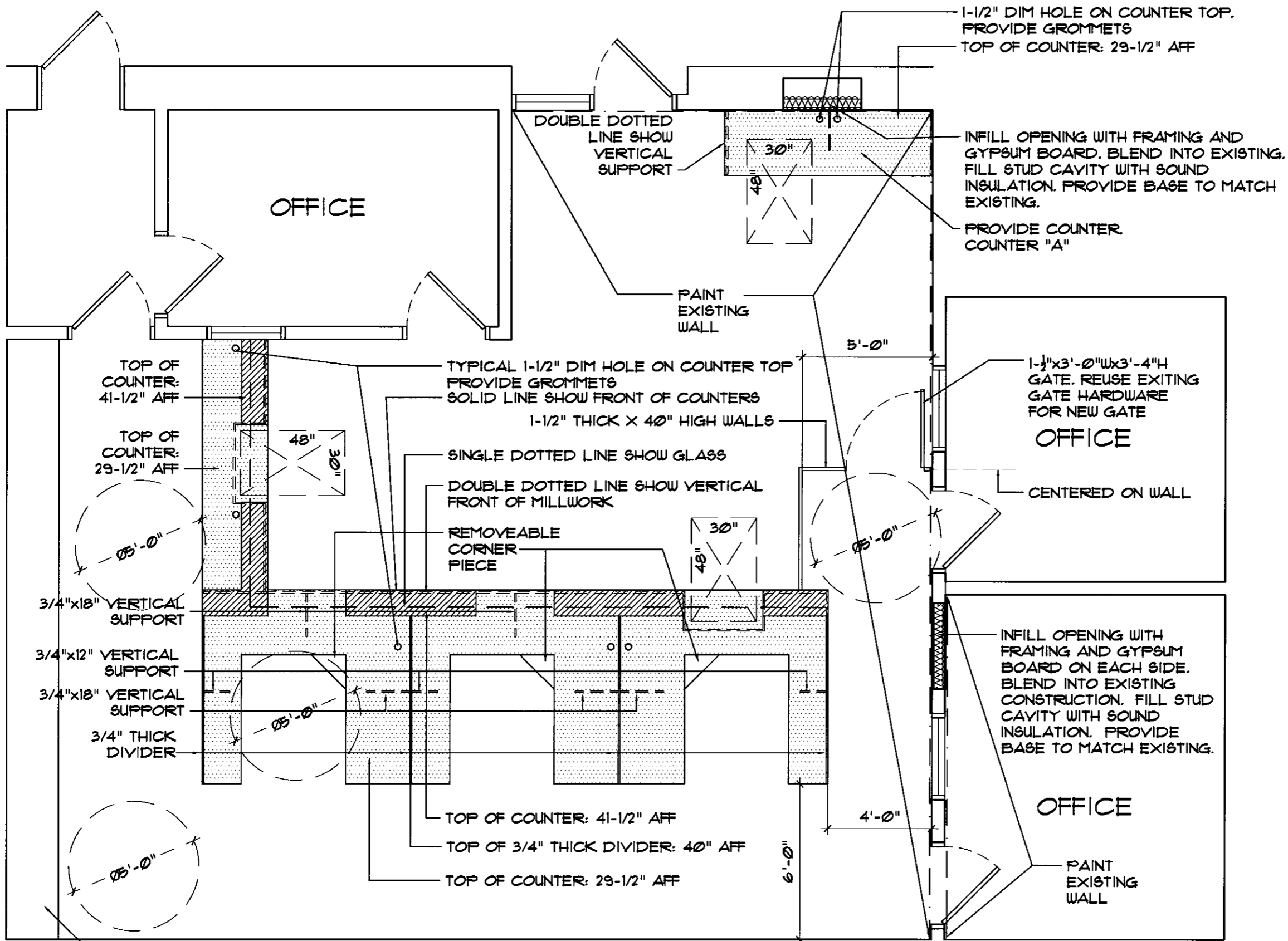
OFFICE RENOVATION  
 Town Hall  
 West Hartford, CT



312 Park Rd. W. Hartford, CT (860) 232-6664

D-1

date: 5-1-09



PLAN

SCALE: 1/4" = 1'-0"

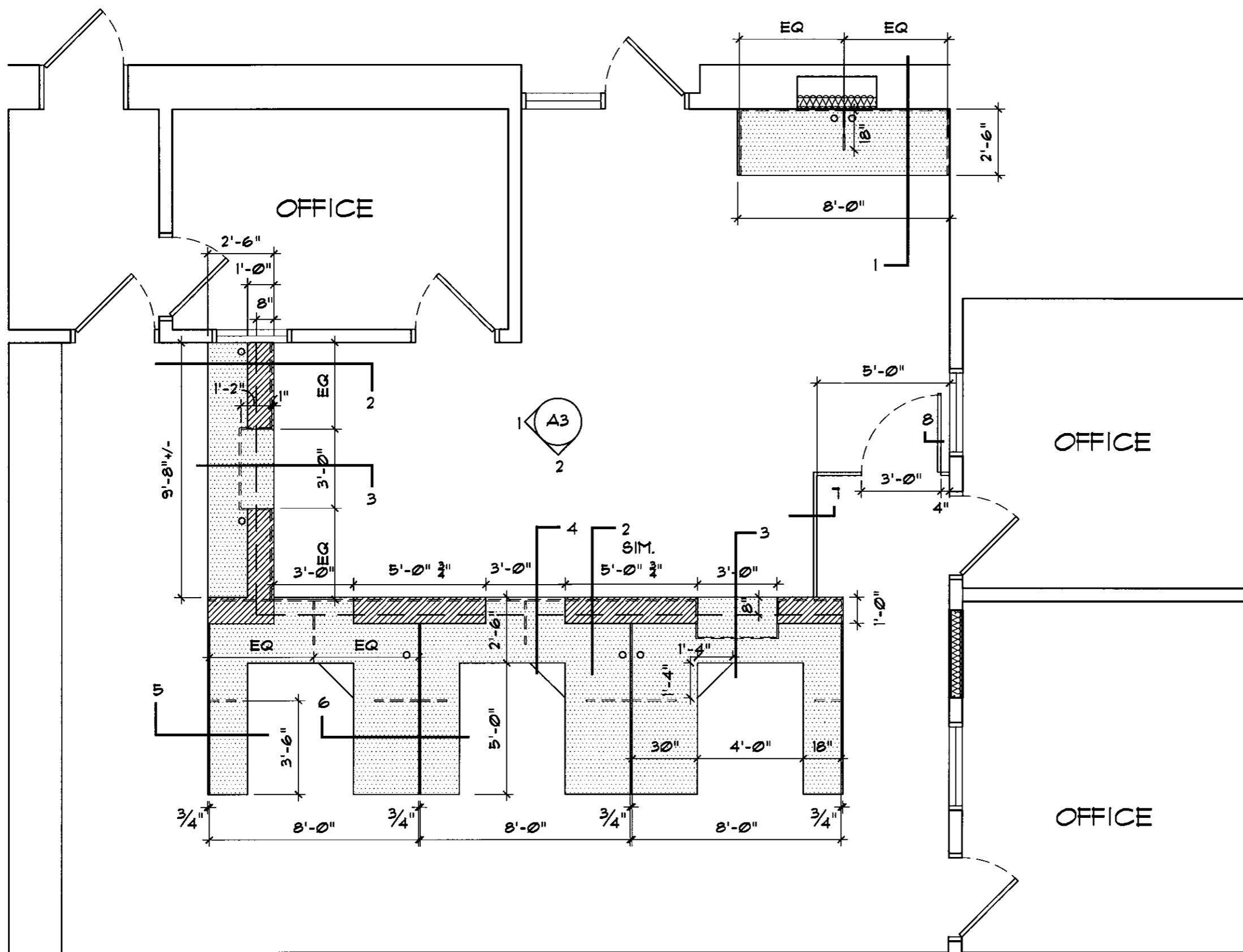
PLAN

OFFICE RENOVATION  
Town Hall  
West Hartford, CT

akPark  
Architects LLC  
312 Park Rd., W. Hartford, CT 06107-2522-6664

A-1

date: 5-1-09



MILLWORK DIMENSION PLAN  
 SCALE: 1/4" = 1'-0"

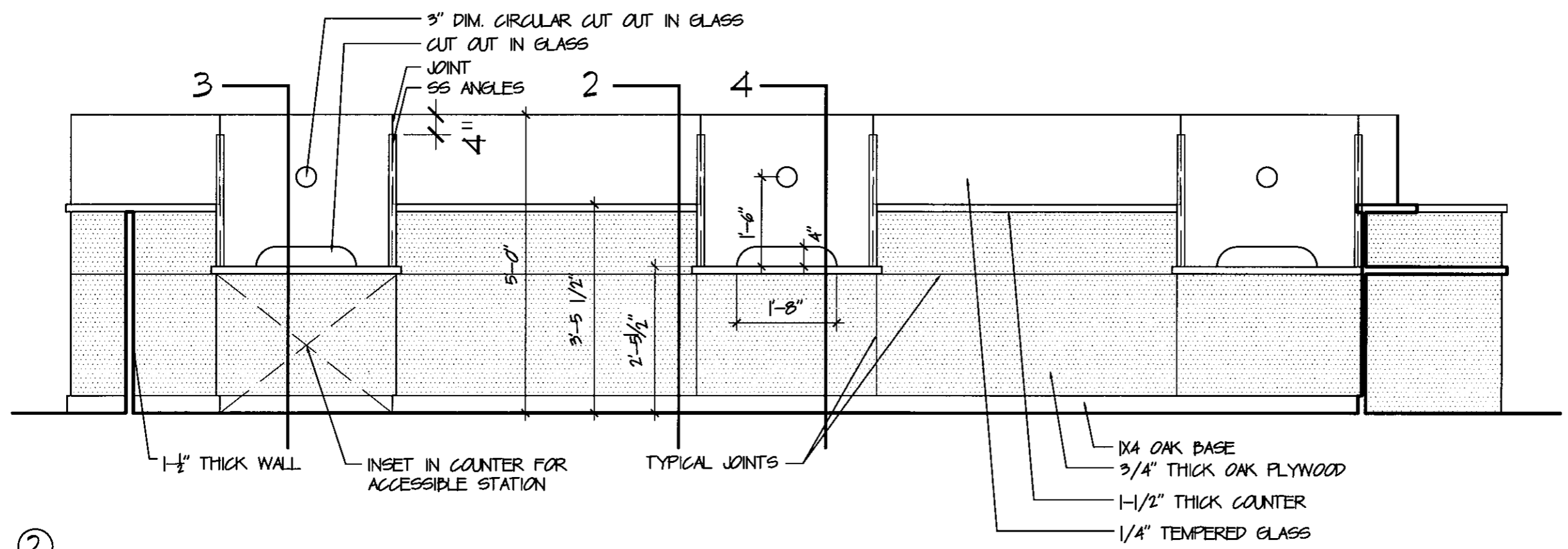
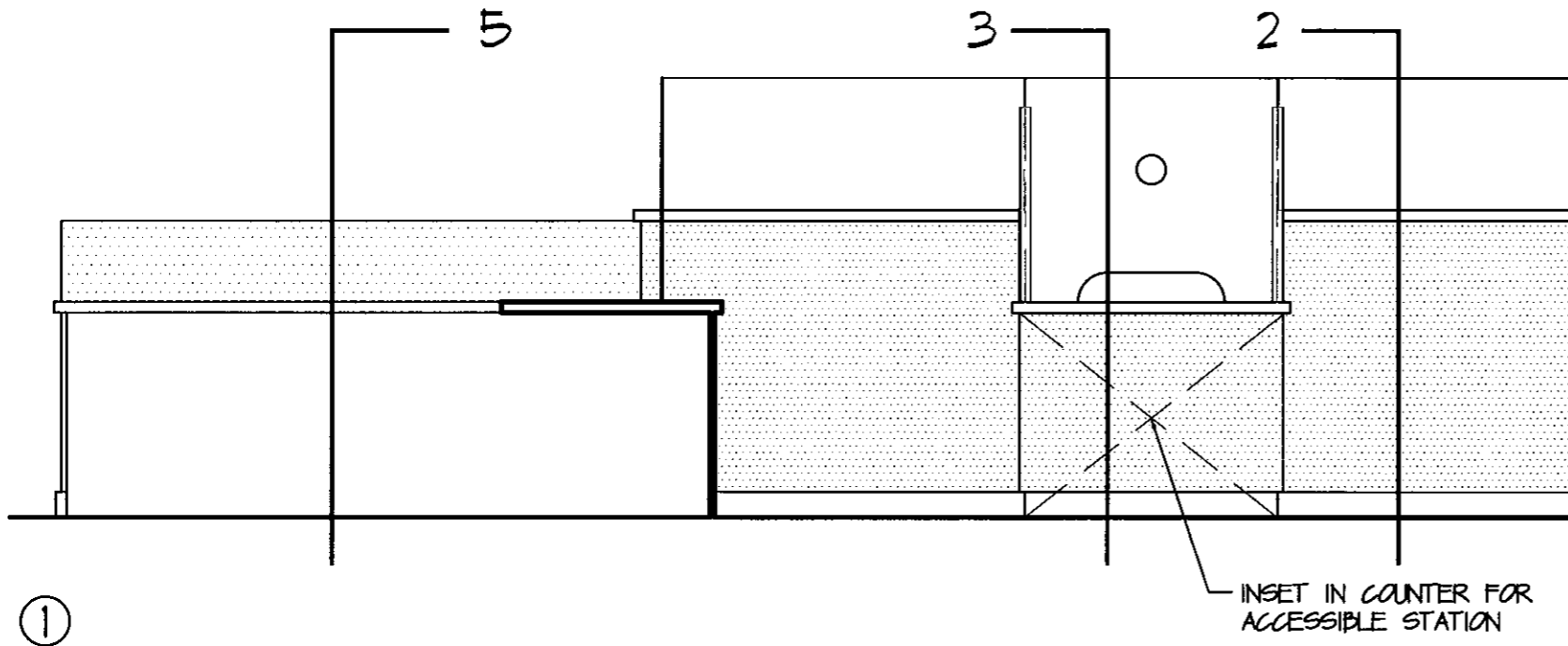
MILLWORK  
 DIMENSION PLAN

OFFICE RENOVATION  
 Town Hall  
 West Hartford, CT

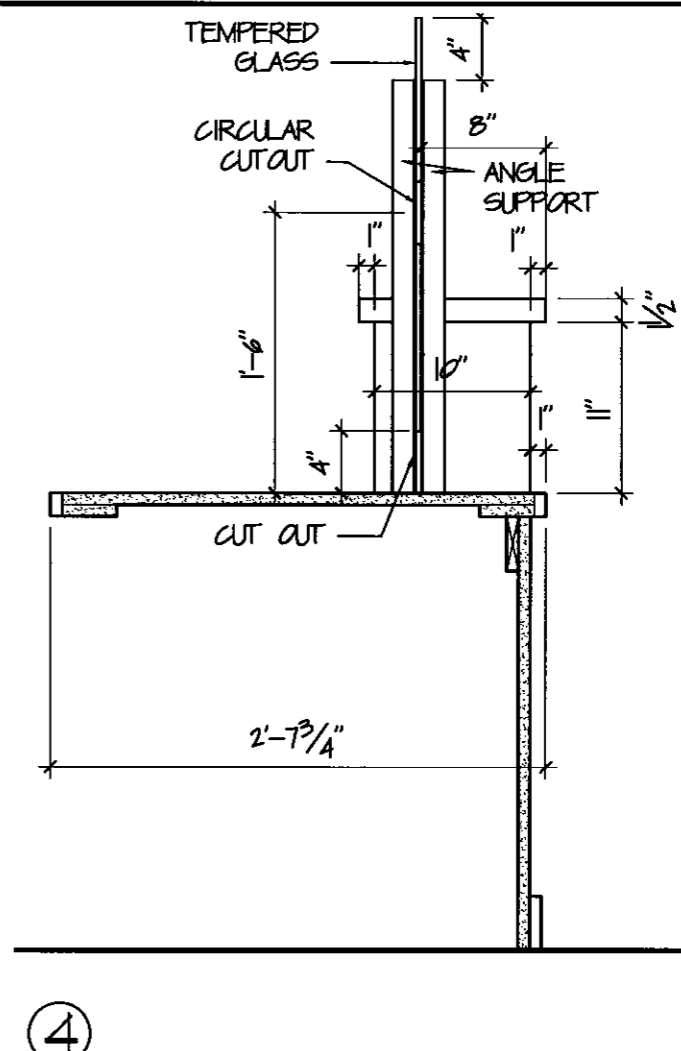
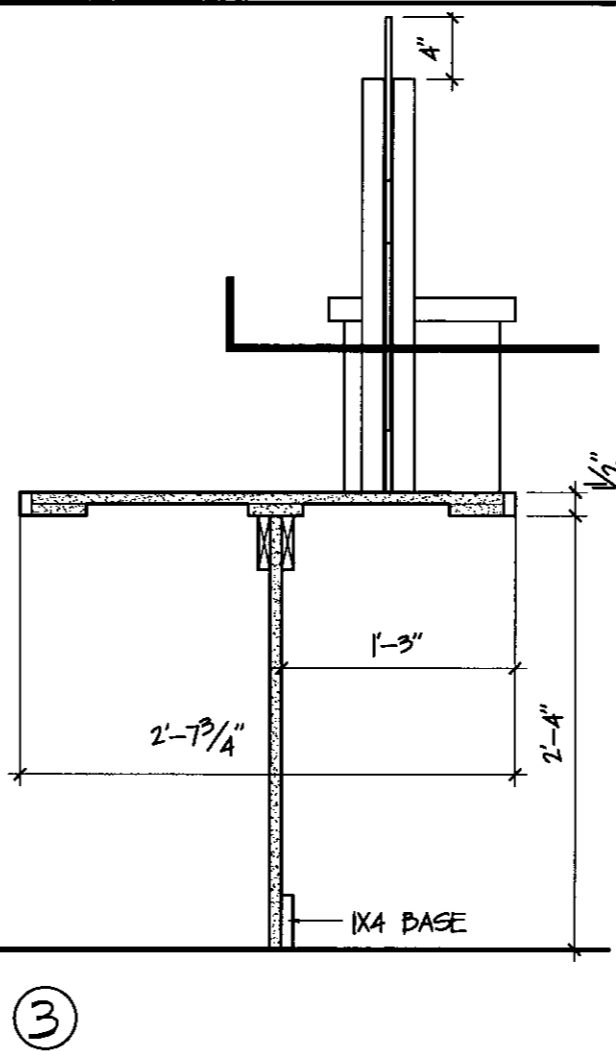
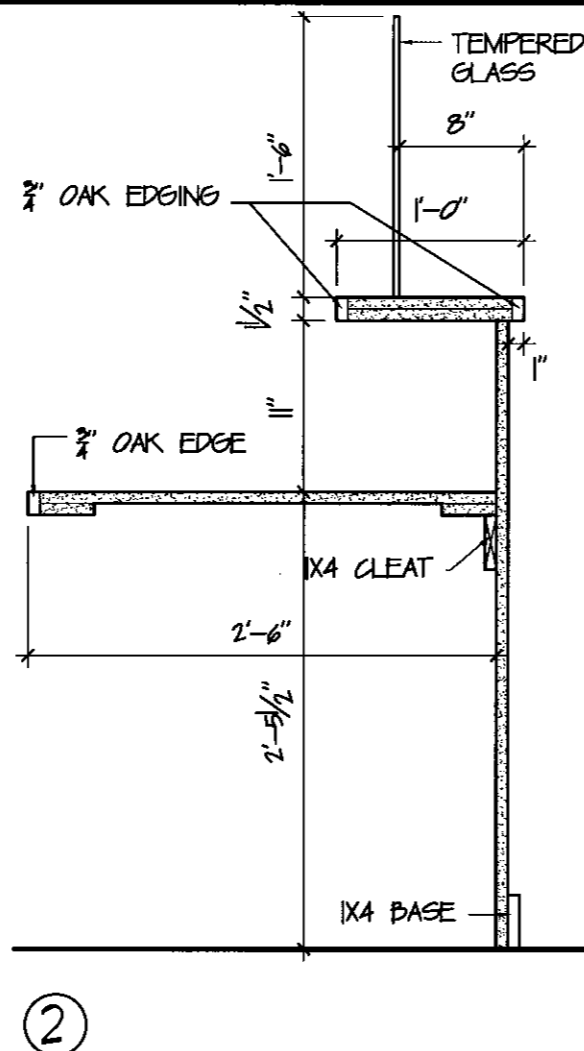
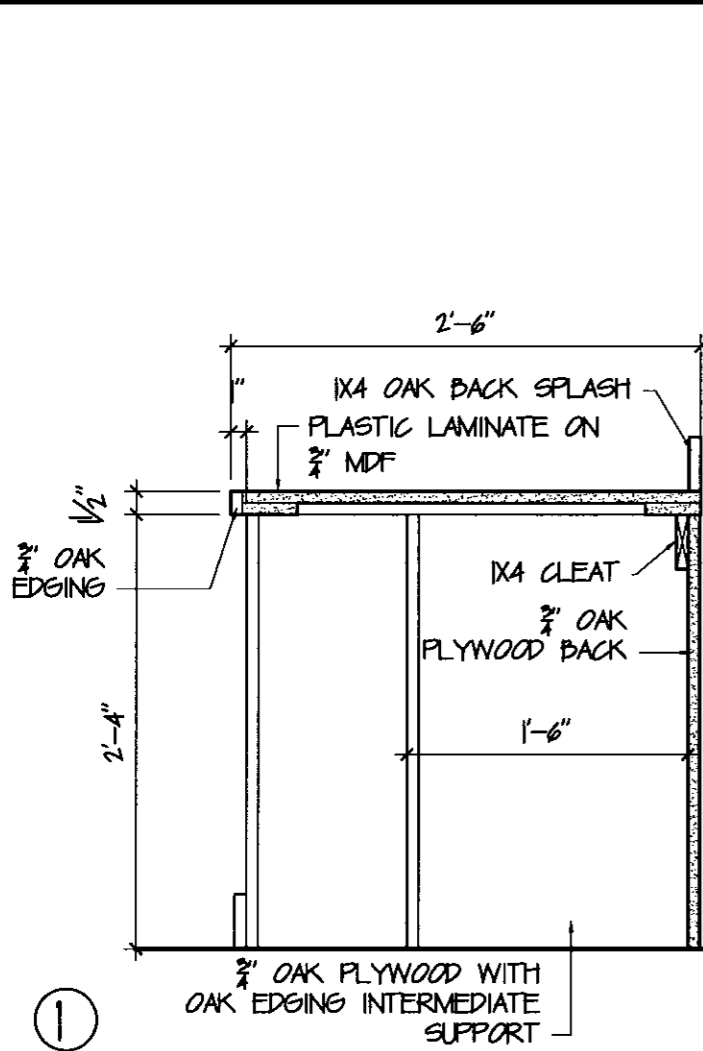
**akPark**  
 Architects LLC  
 312 Park Rd., W. Hartford, CT 06107-2322-6664

A-2

date: 5-1-09

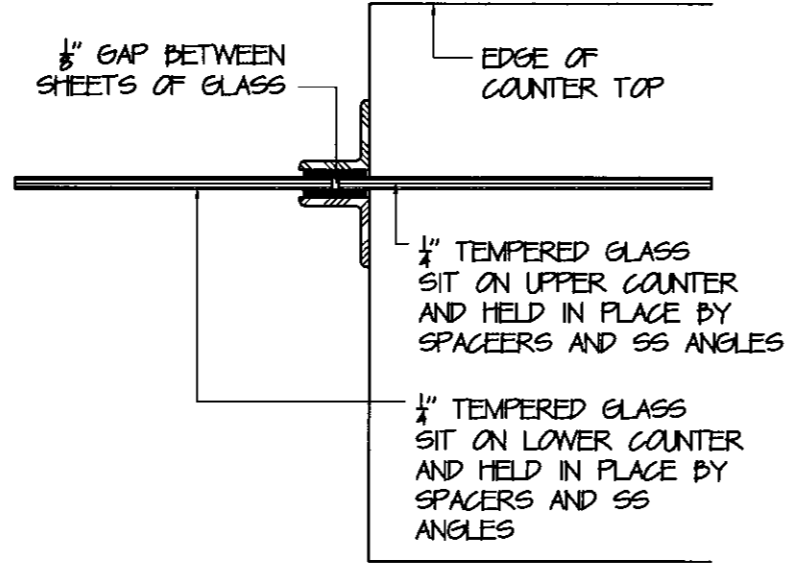
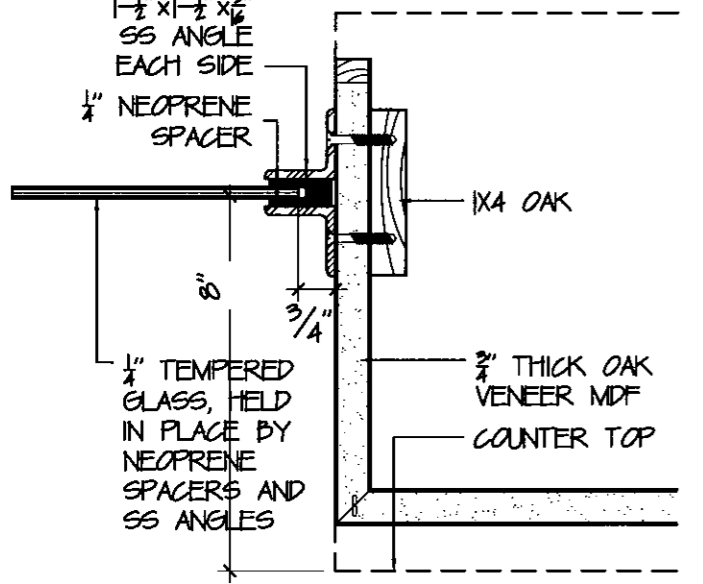


MILLWORK ELEVATIONS  
 SCALE: 1/2" = 1'-0"



MILLWORK DETAILS

SCALE: 1" = 1'-0"



- SOLID OAK TO BE RED OAK
- OAK PLYWOOD VENEER- PLAIN SLICE, BOOK MATCH
- PROVIDE 3 COATS OF CLEAR SATIN POLYURETHANE
- PLASTIC LAMINATE TO BE BY FORMICA, WILSONART OR EQUAL
- COLOR TO BE SELECTED BY OWNER

MILLWORK DETAILS

SCALE: 3" = 1'-0"

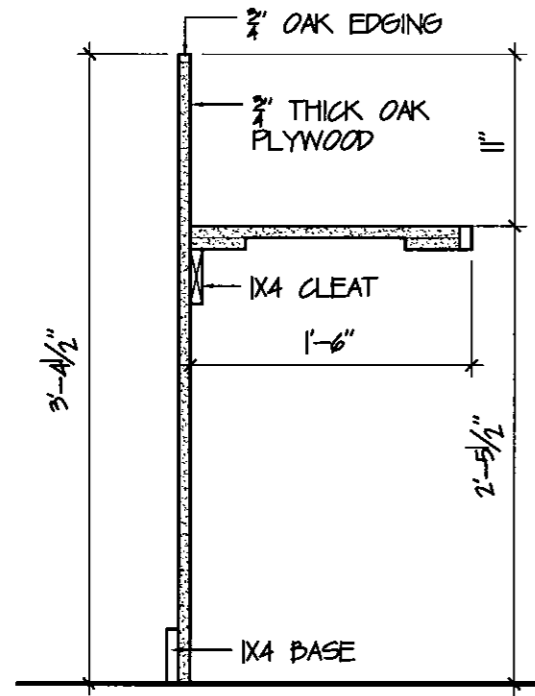
MILLWORK DETAILS

OFFICE RENOVATION  
Town Hall  
West Hartford, CT

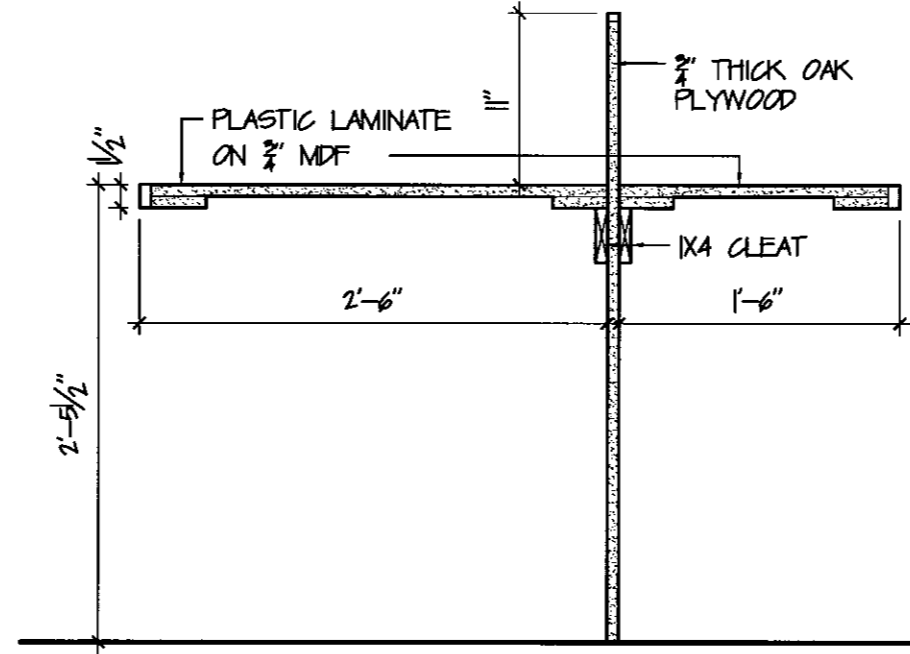
akPark Architects LLC  
312 Park Rd., West Hartford, CT 06107-2332-6664

A-4

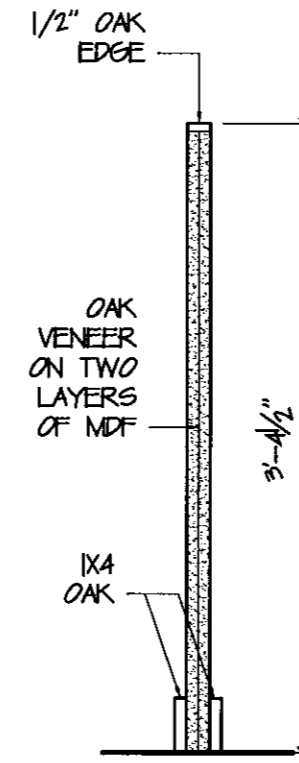
date: 5-1-09



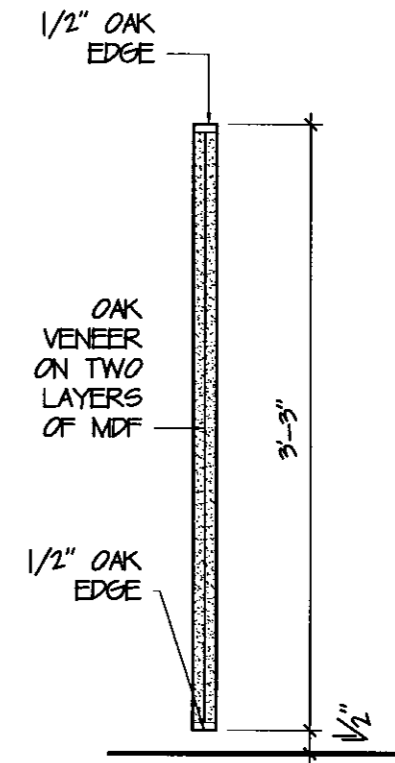
5



6



7



8

MILLWORK DETAILS

SCALE: 1" = 1'-0"

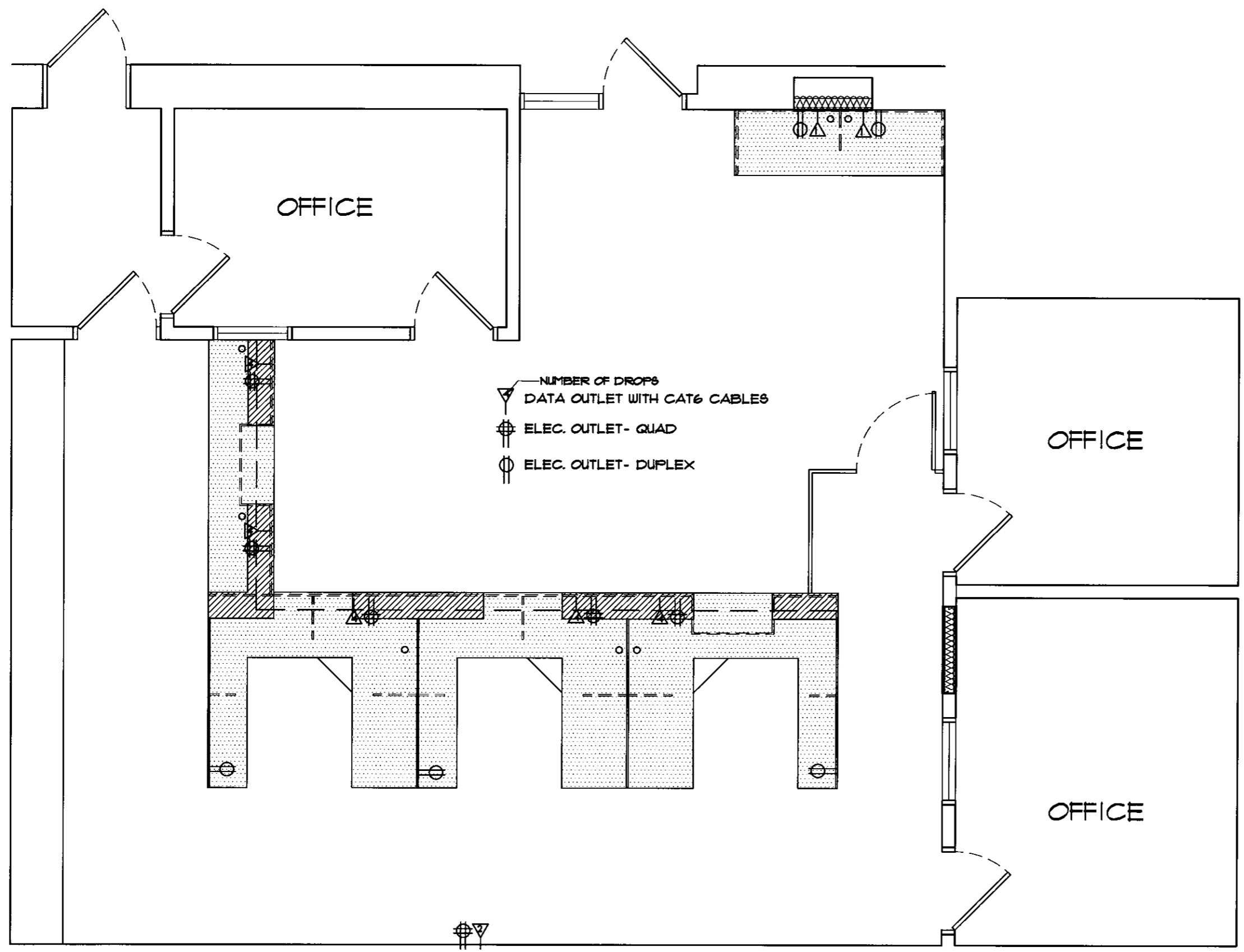
MILLWORK DETAILS

OFFICE RENOVATION  
Town Hall  
West Hartford, CT

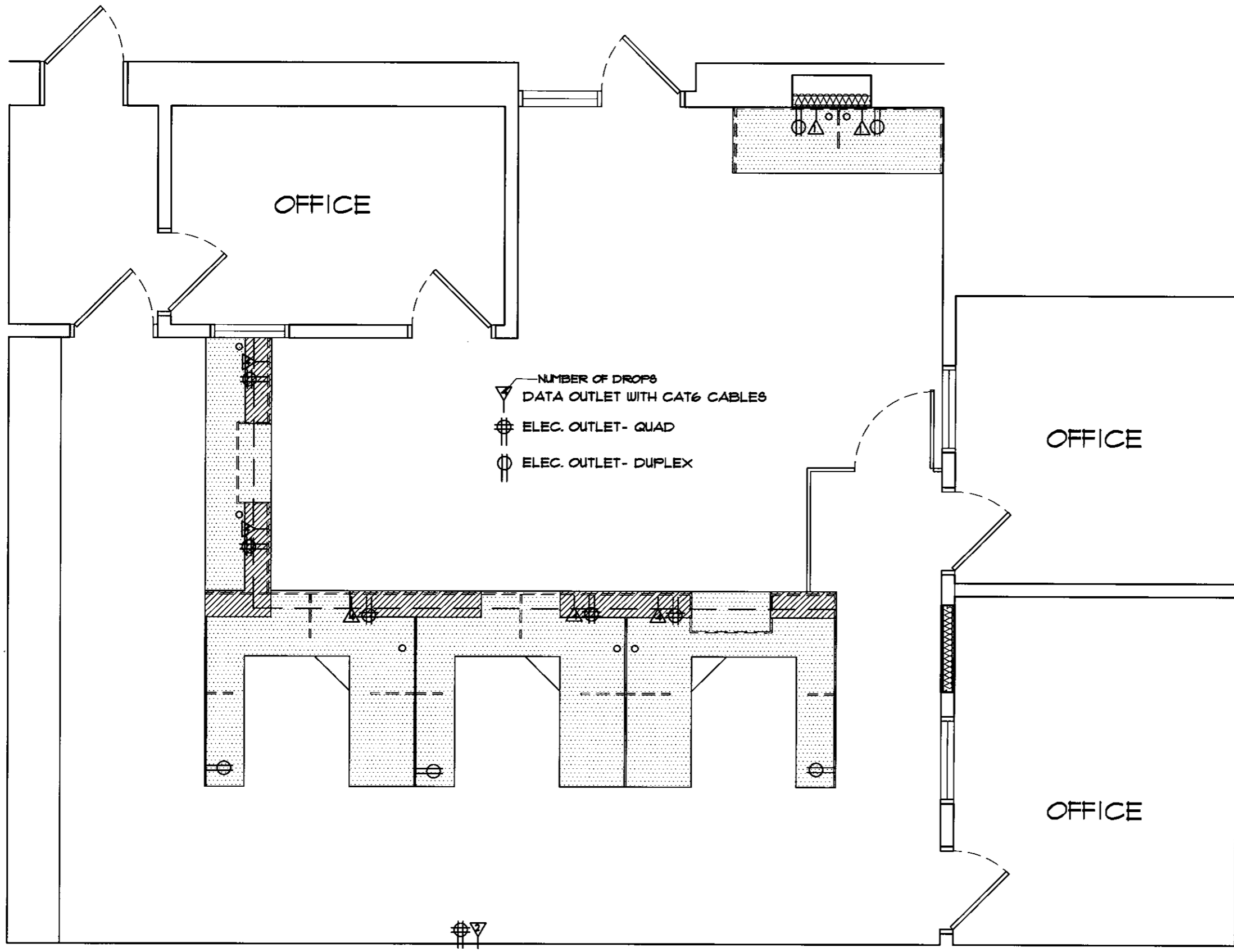
akPark  
Architects LLC  
312 Park Rd., West Hartford, CT (860)232-6664

A-5

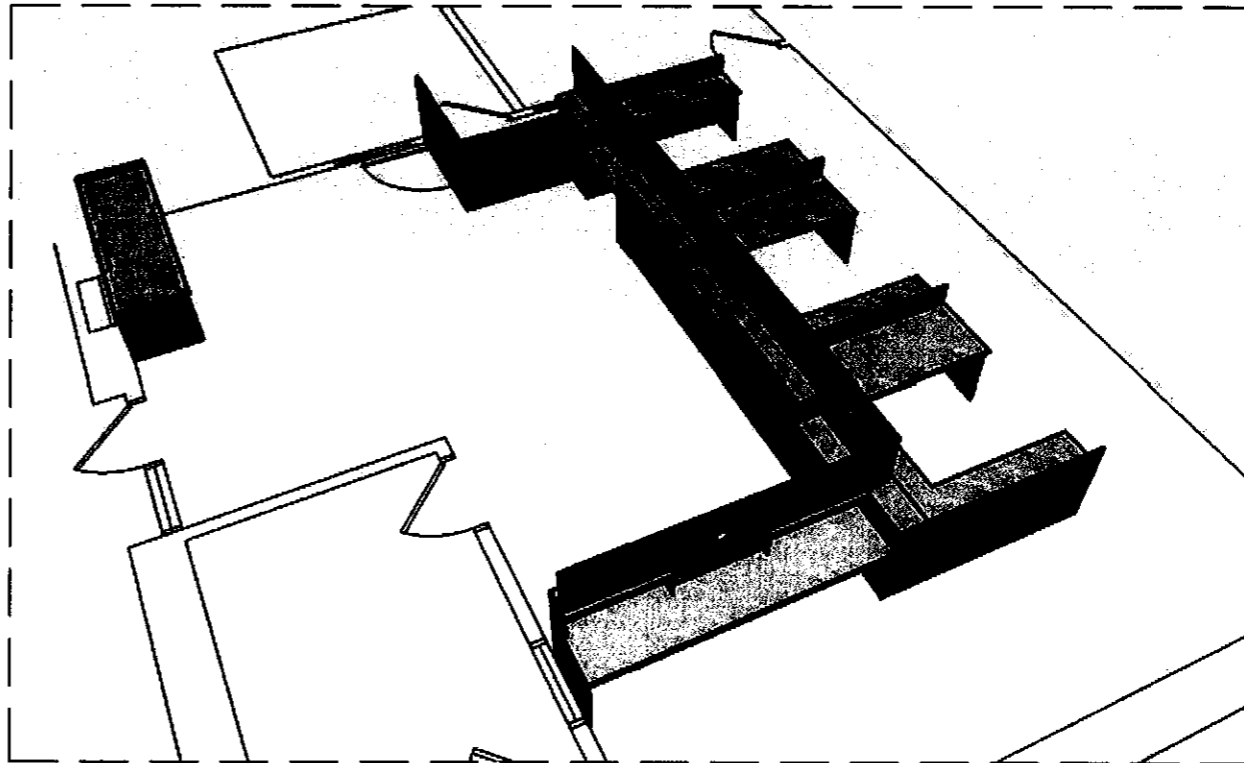
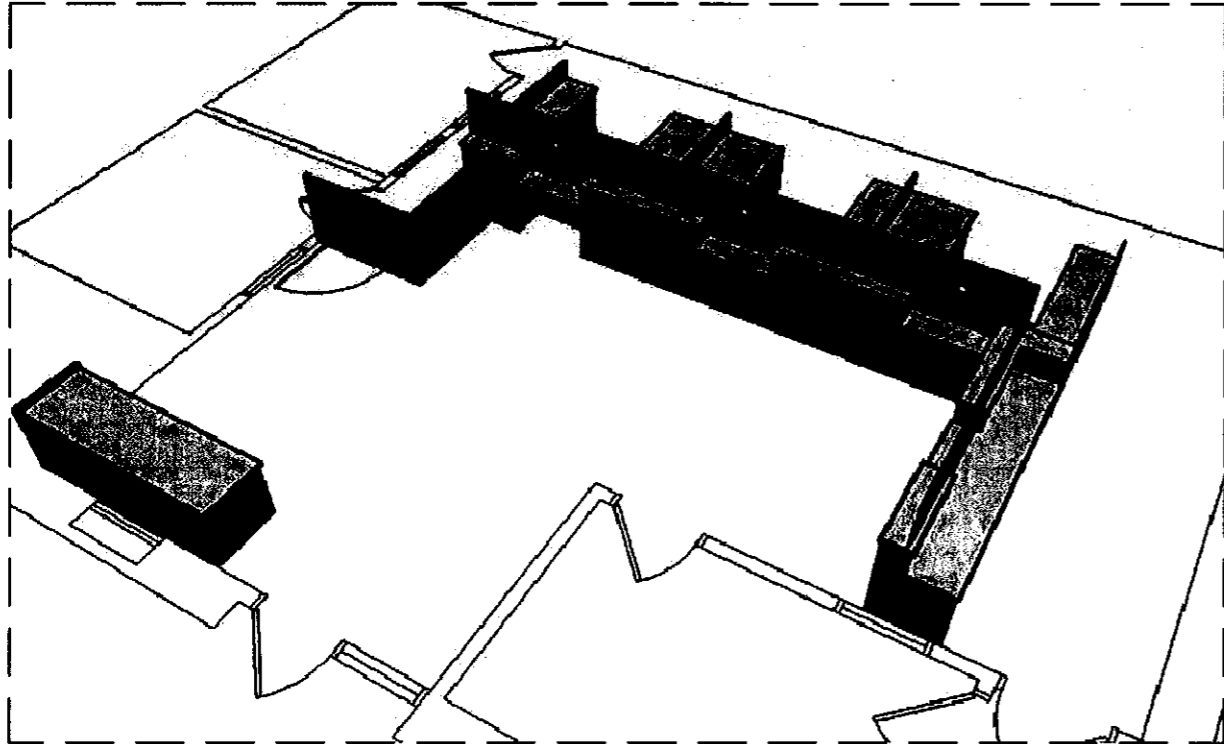
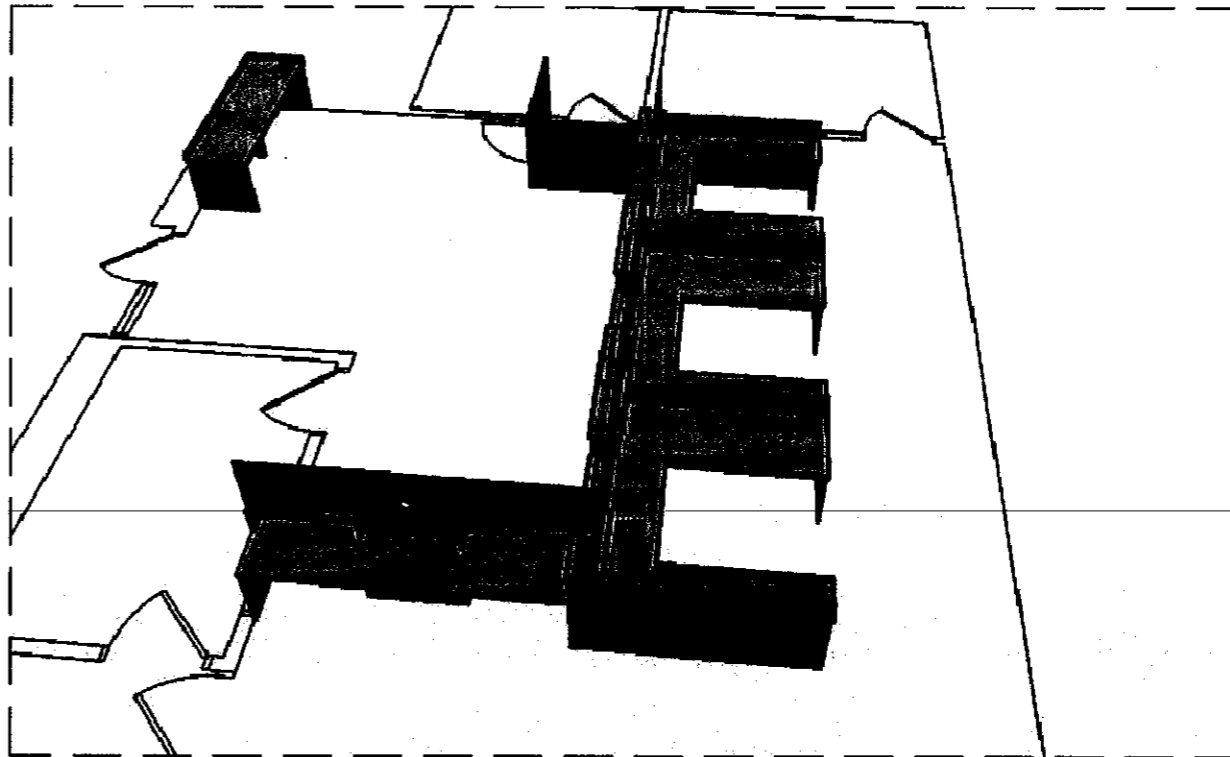
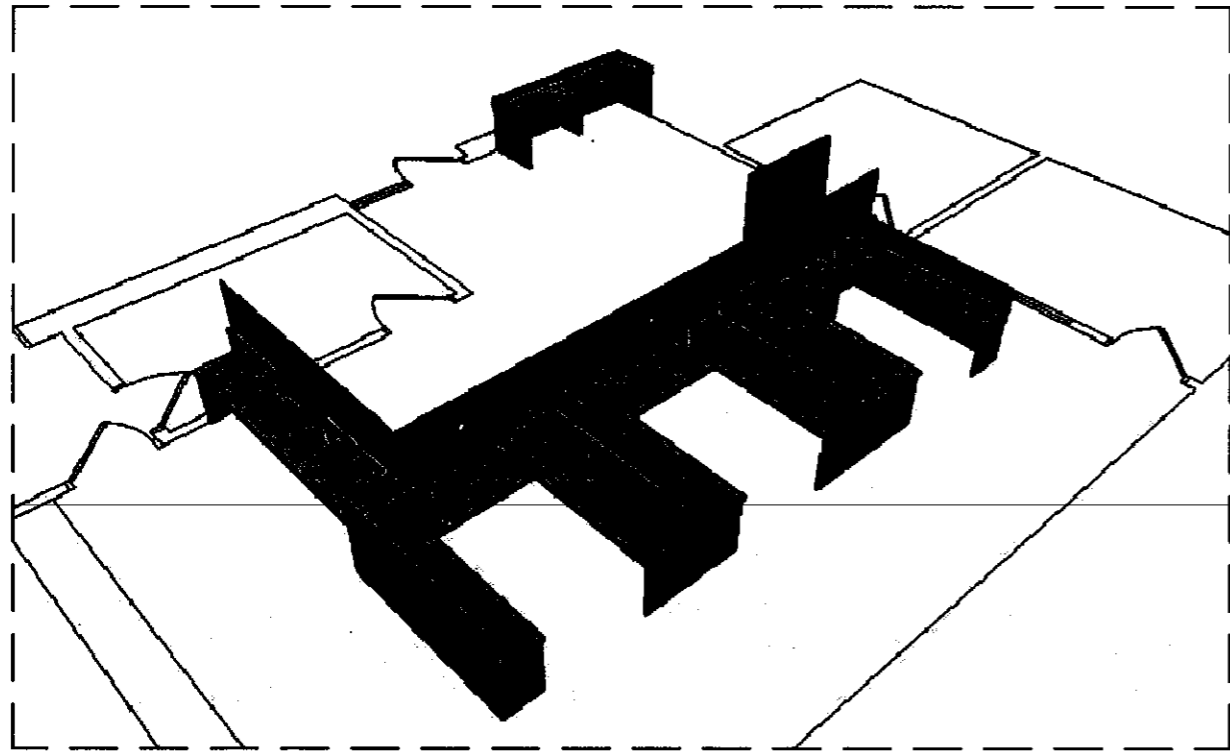
date: 5-1-09



ELECTRICAL AND DATA LOCATION PLAN  
SCALE: 1/4" = 1'-0"



ELECTRICAL AND DATA LOCATION PLAN  
 SCALE: 1/4" = 1'-0"



MILLWORK  
NTS

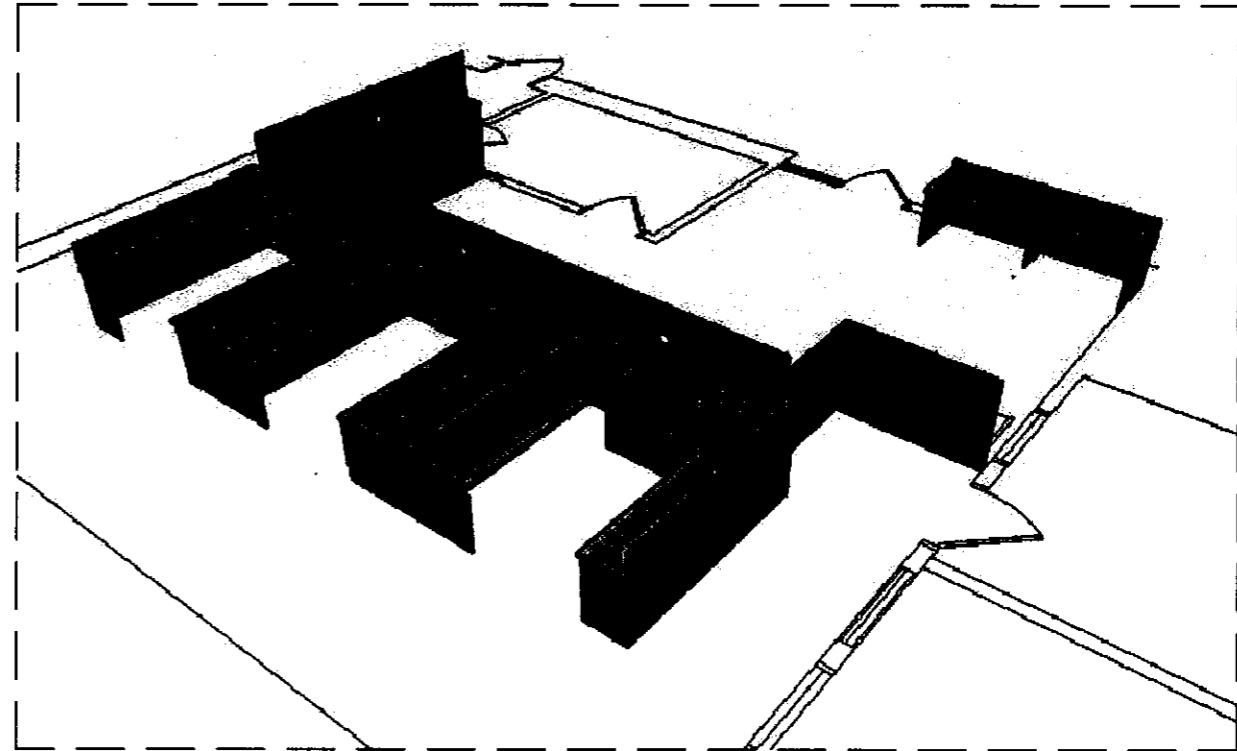
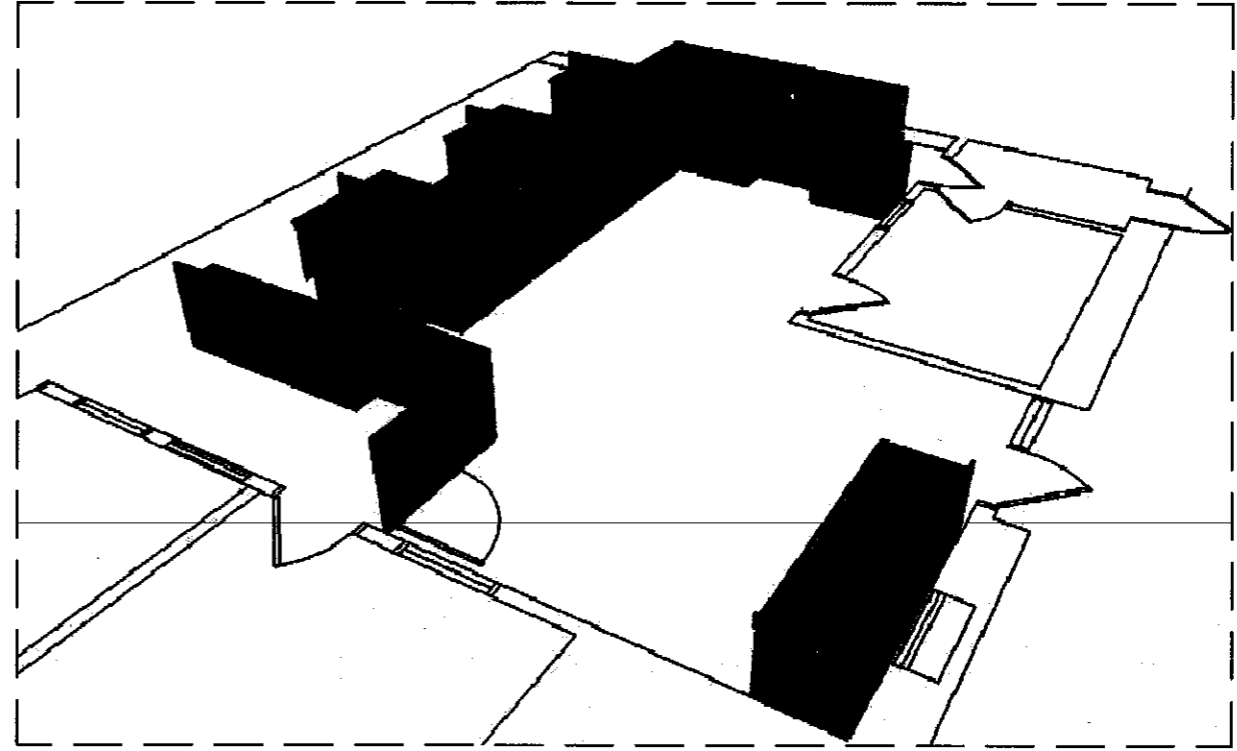
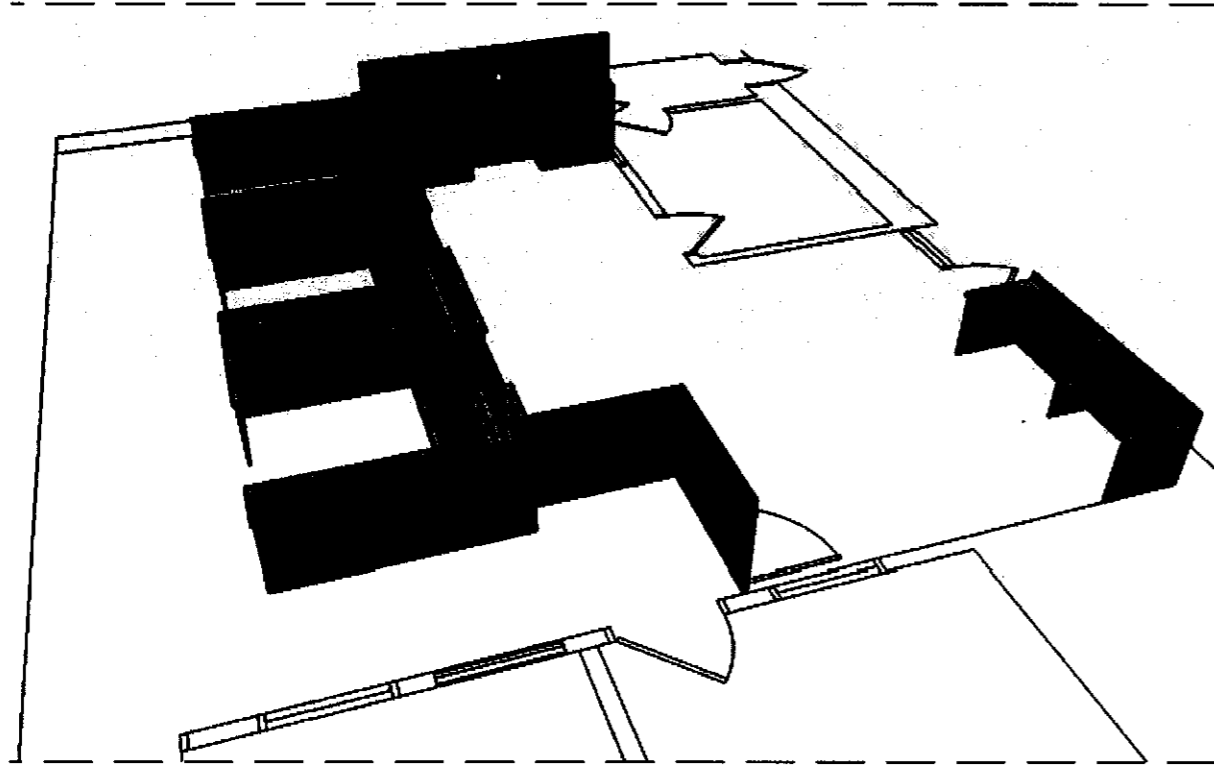
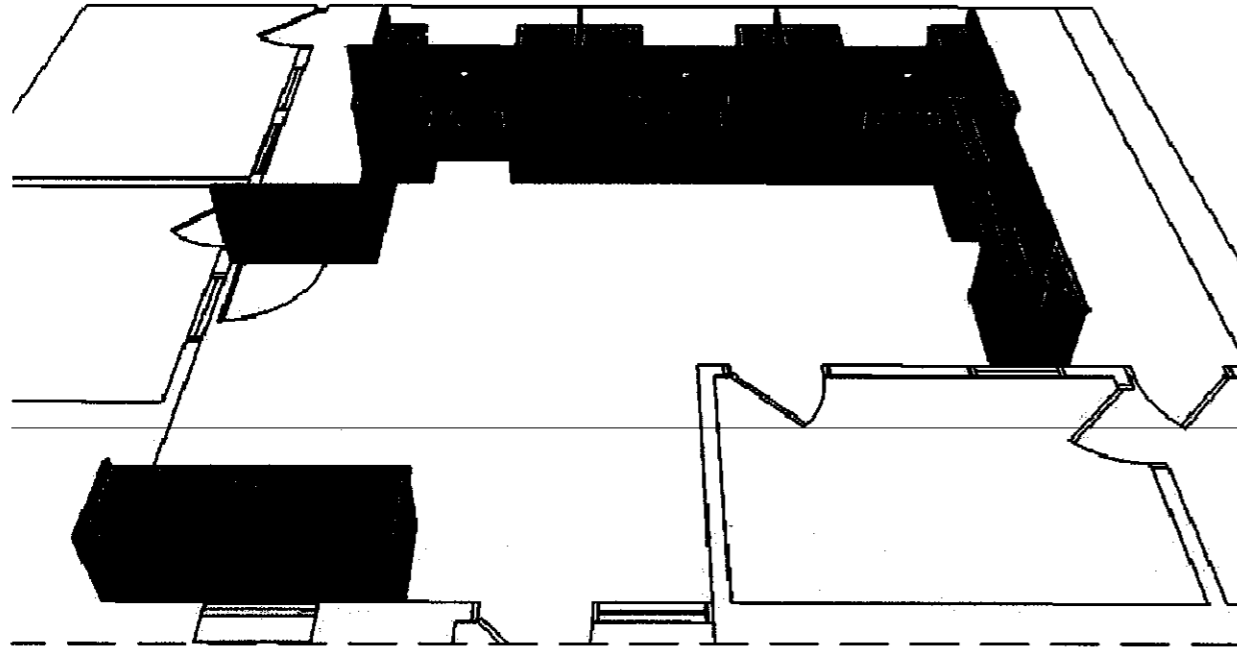
MILLWORK IMAGES

OFFICE RENOVATION  
Town Hall  
West Hartford, CT

 **Oak Park**  
Architects <sup>LLC</sup>  
312 Park Rd., W. Hartford, CT (860) 232-6664

M-1

date: 5-1-09



MILLWORK  
NTS

MILLWORK IMAGES

OFFICE RENOVATION  
Town Hall  
West Hartford, CT

 **Oak Park**  
Architects LLC  
312 Park Rd., W. Hartford, CT (860) 232-6664

M-2

date: 5-1-09